

# LM2931A

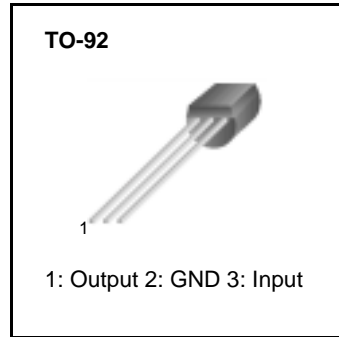
## Low Dropout Voltage Regulator

### Features

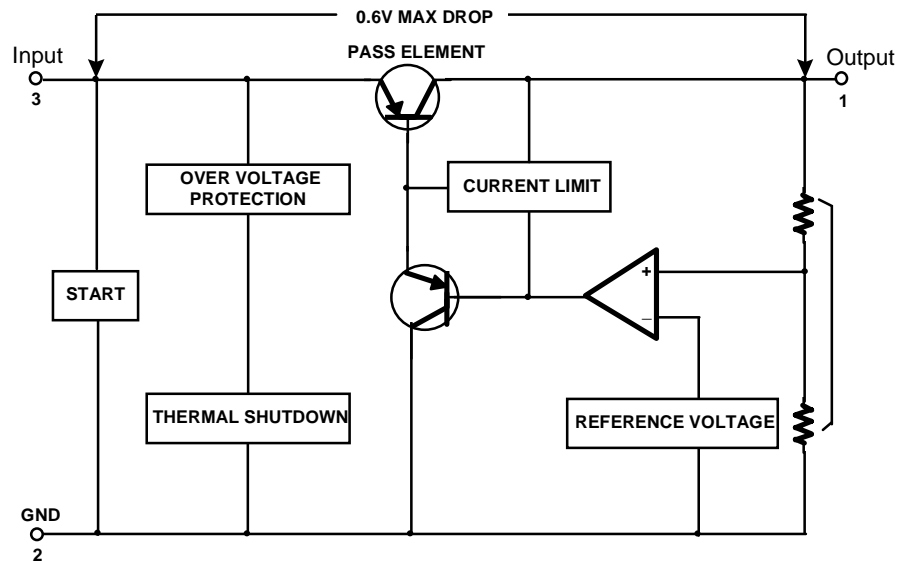
- Limited input voltage and high efficiency.
- Internal thermal over load protection.
- 60V load dump protection.
- Output current up to 0.1A.

### Description

LM2931A is a fixed 3-terminal low dropout voltage regulator designed to need very low quiescent current. Internally, implemented circuits include 60V load dump protection, -50V reverse transient short circuit and thermal over load protection.



### Internal Block Diagram



## Absolute Maximum Ratings

Parameter	Symbol	Value	Unit
Input Voltage	$V_i$	33	V
Over Protection Voltage	$V_{(OP)}$	60	V
Operating Temperature Range	$T_{OPR}$	-40~+125	°C
Maximum Junction Temperature	$T_J$	150	°C
Storage Temperature Range	$T_{STG}$	-65~+150	°C

## Electrical Characteristics

( $V_i = 14V$ ,  $I_O = 10mA$ ,  $C_O = 100\mu F$ ,  $T_A = 25^\circ C$ )

Parameter	Symbol	Conditions	Min.	Typ.	Max.	Unit
Output Voltage (I)	$V_O$ (I)	$V_i = 14V$ , $I_O = 10mA$	4.81	5.0	5.19	V
Output Voltage (II)	$V_O$ (II)	$V_i = 6 \sim 26V$ , $I_O = 100mA$ $T_J = -40 \sim +125^\circ C$	4.75	5.0	5.25	V
Line Regulation (I)	$\Delta V_O$ (I)	$V_i = 9 \sim 16V$ , $I_O = 10mA$	-	2.0	10	mV
Line Regulation (II)	$\Delta V_O$ (II)	$V_i = 6 \sim 26V$ , $I_O = 10mA$	-	4.0	30	mV
Load Regulation	$\Delta V_O$ (III)	$V_i = 14V$ , $I_O = 5 \sim 100mA$	-	10	50	mV
Output Impedance	$Z_O$	$V_i = 14V$ , $I_O = 100mA$	-	100	600	$m\Omega$
Quiescent Current (I)	$I_Q$ (I)	$V_i = 6 \sim 26V$ , $I_O \leq 10mA$	-	0.1	1.0	mA
Quiescent Current (II)	$I_Q$ (II)	$V_i = 14V$ , $I_O \leq 100mA$	-	5.0	30	mA
Output Noise Voltage	$V_N$	$V_i = 14V$ , $I_O = 10mA$ , $f = 10Hz \sim 100KHz$	-	150	1000	$\mu V_{rms}$
Ripple Rejection	RR	$V_i = 14V$ , $I_O = 10mA$ , $f = 120Hz$	55	80	-	dB
Dropout Voltage (I)	$V_D$ (I)	$I_O = 10mA$ , $V_D = V_i - V_O$	-	0.03	0.2	V
Dropout Voltage (II)	$V_D$ (II)	$I_O = 100mA$ , $V_D = V_i - V_O$	-	0.1	0.6	V
Max Operational Input Voltage	$V_{IN}$	$I_O = 10mA$	26	33	-	V
Max Line Transient	$V_{LT(MAX)}$	$V_i = 14V$ , $I_O = 10mA$ , Time = 100ms	60	70	-	V
Reverse Polarity Input Voltage DC	$V_{I(DC)}$	$V_i = 14V$ , $I_O = 10mA$ , $V_O \geq -0.3V$	- 15	- 30	-	V
Reverse Polarity Input Voltage Transient	$V_{I(TR)}$	$V_i = 14V$ , $I_O = 10mA$ , Time $\leq 10ms$	- 50	- 80	-	V
Peak Output Current	$I_{PK}$	$V_i = 14V$	200	400	600	mA

## Typical Performance Characteristics

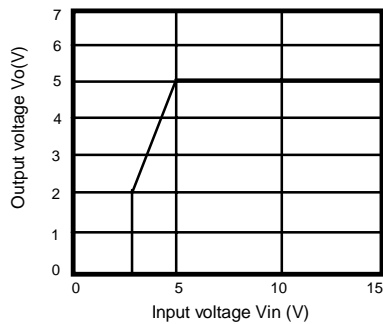


Figure 1. Output Voltage vs. Input Voltage

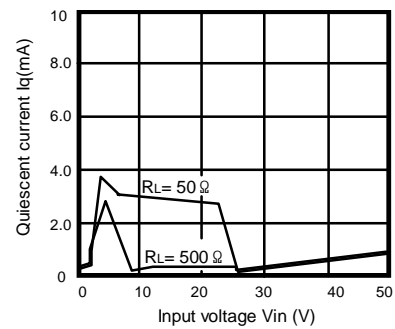


Figure 2. Quiescent Current vs. Input Voltage

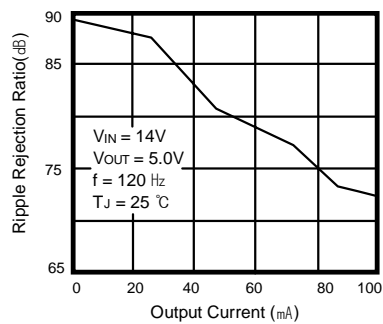


Figure 3. Ripple Rejection vs. Output Voltage

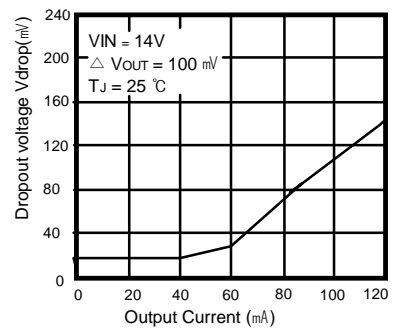


Figure 4. Drop Voltage vs. Output Current

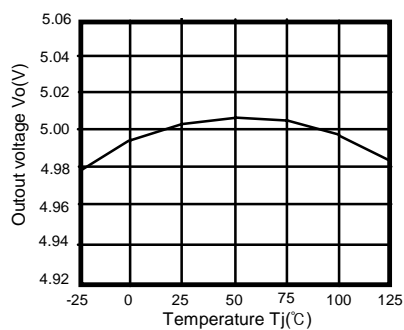


Figure 5. Output Voltage vs. Temperature( $T_j$ )

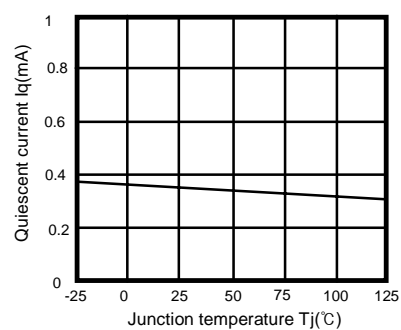


Figure 6. Quiescent Current vs. Temperature( $T_j$ )

## Typical Application

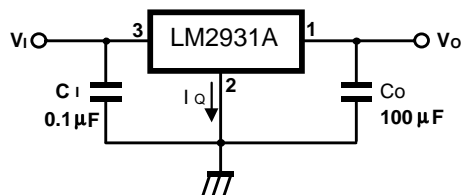


Figure 1. Application Circuit

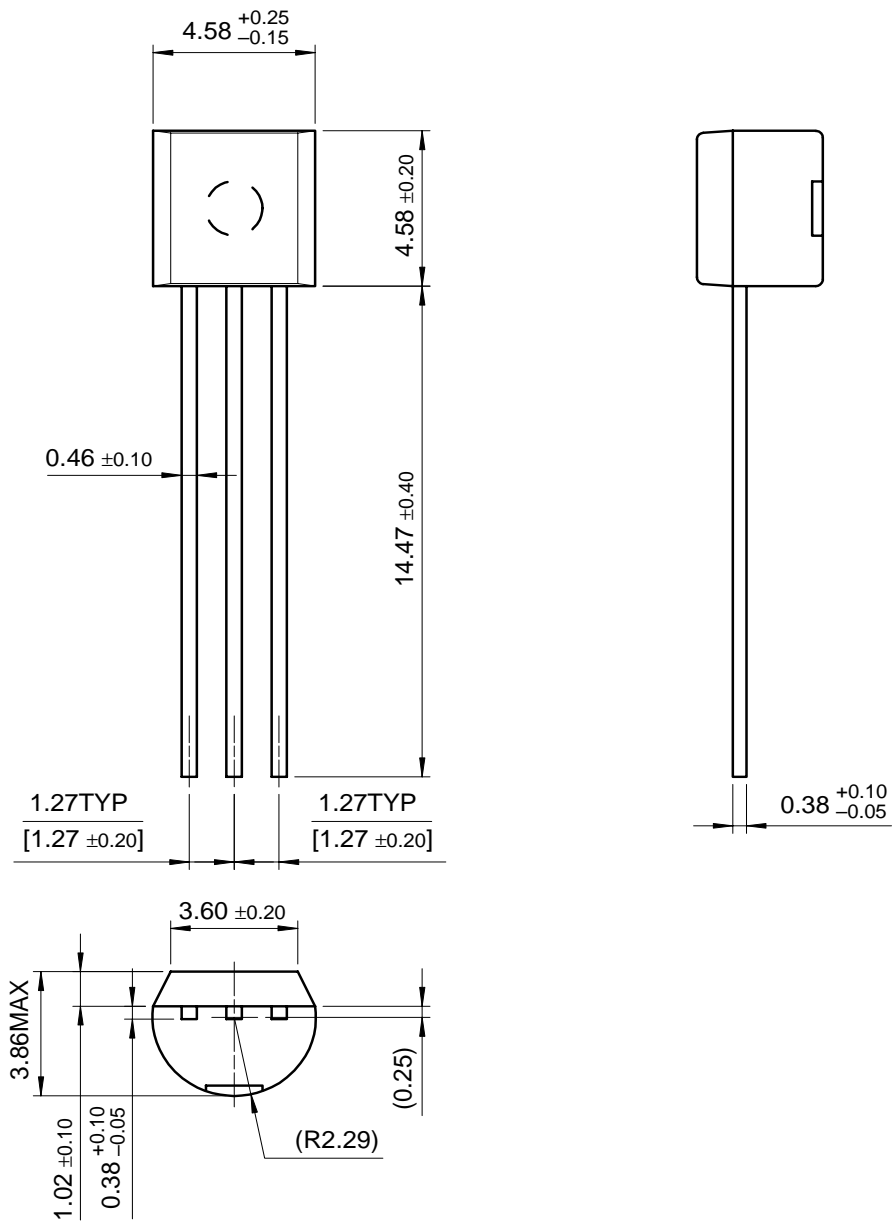
- $C_i$  is required if regulator is located an appreciable distance from power supply filter.
- $C_o$  improves stability .

## Mechanical Dimensions

Package

Dimensions in millimeters

### TO-92



**Ordering Information**

<b>Product Number</b>	<b>Package</b>	<b>Operating Temperature</b>
LM2931AZ5	TO-92	-40°C to + 125°C



**DISCLAIMER**

FAIRCHILD SEMICONDUCTOR RESERVES THE RIGHT TO MAKE CHANGES WITHOUT FURTHER NOTICE TO ANY PRODUCTS HEREIN TO IMPROVE RELIABILITY, FUNCTION OR DESIGN. FAIRCHILD DOES NOT ASSUME ANY LIABILITY ARISING OUT OF THE APPLICATION OR USE OF ANY PRODUCT OR CIRCUIT DESCRIBED HEREIN; NEITHER DOES IT CONVEY ANY LICENSE UNDER ITS PATENT RIGHTS, NOR THE RIGHTS OF OTHERS.

**LIFE SUPPORT POLICY**

FAIRCHILD'S PRODUCTS ARE NOT AUTHORIZED FOR USE AS CRITICAL COMPONENTS IN LIFE SUPPORT DEVICES OR SYSTEMS WITHOUT THE EXPRESS WRITTEN APPROVAL OF THE PRESIDENT OF FAIRCHILD SEMICONDUCTOR CORPORATION. As used herein:

1. Life support devices or systems are devices or systems which, (a) are intended for surgical implant into the body, or (b) support or sustain life, and (c) whose failure to perform when properly used in accordance with instructions for use provided in the labeling, can be reasonably expected to result in a significant injury of the user.
2. A critical component in any component of a life support device or system whose failure to perform can be reasonably expected to cause the failure of the life support device or system, or to affect its safety or effectiveness.